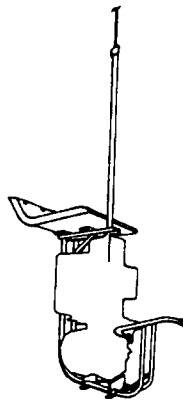


VEHICLE-MOUNTED AERIAL PLATFORM  
(SCISSOR TYPE)

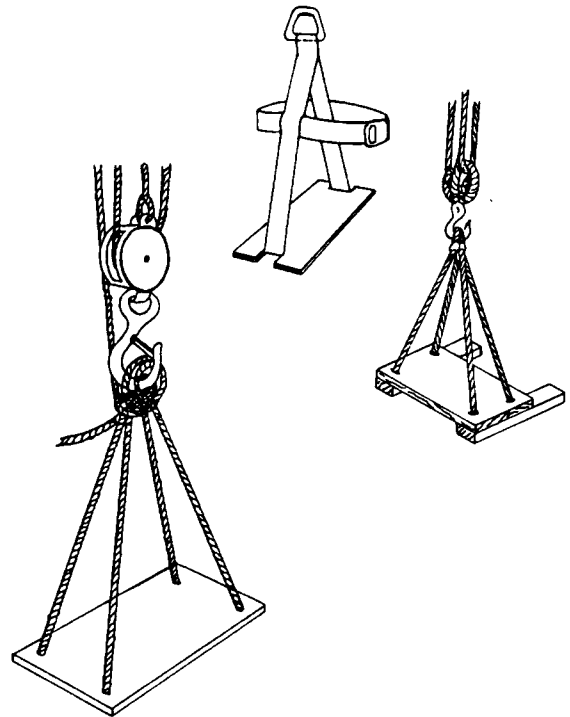
VEHICLE-MOUNTED AERIAL PLATFORM  
WITH TELESCOPING AND ROTATING BOOM

## AERIAL PLATFORMS

## BOATSWAIN CHAIR

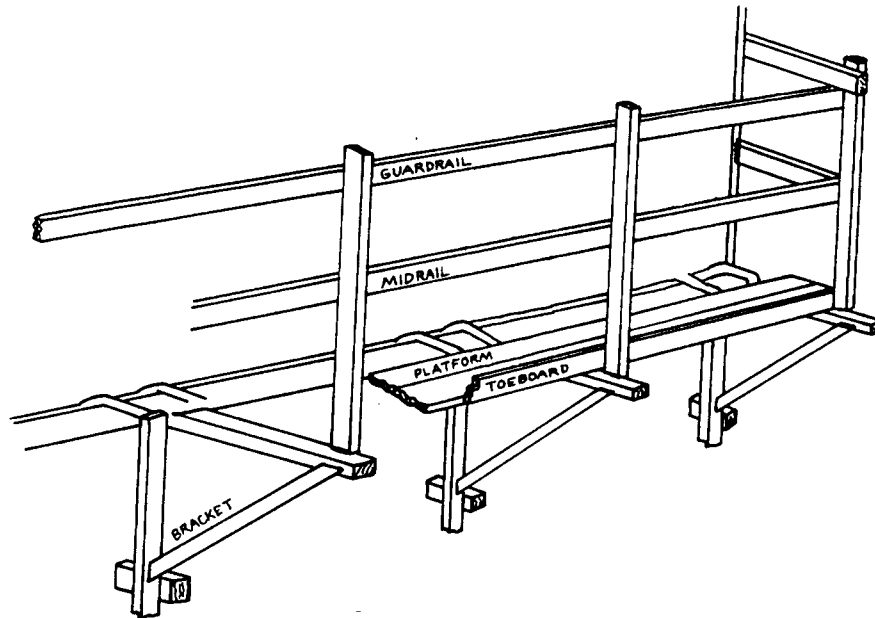


BOATSWAIN CHAIR  
(POWERED)

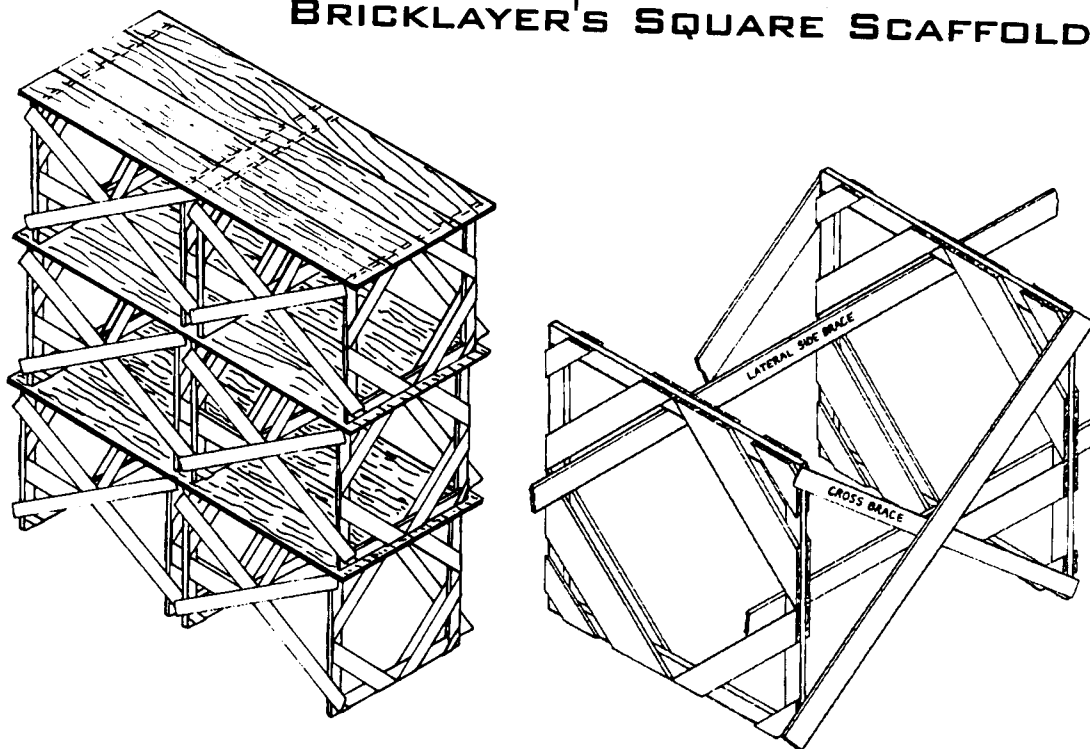


BOATSWAIN CHAIR  
(MANUAL)

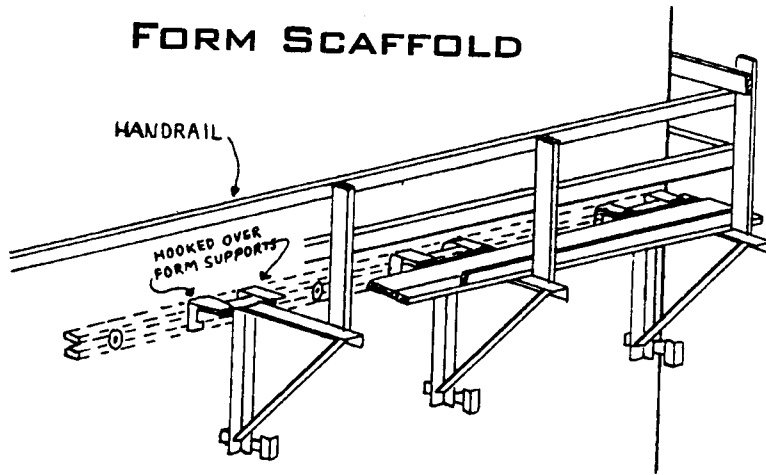
## CARPENTER'S BRACKET SCAFFOLD



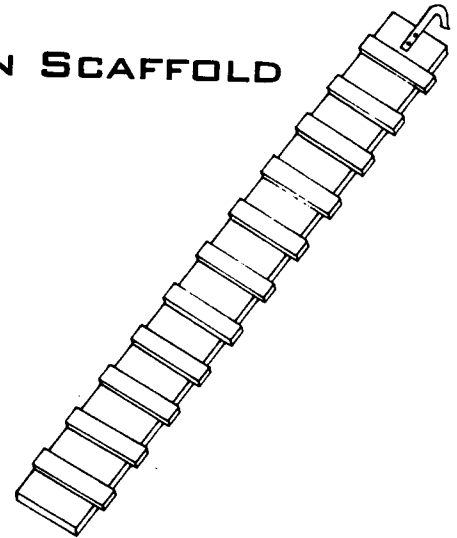
## BRICKLAYER'S SQUARE SCAFFOLD



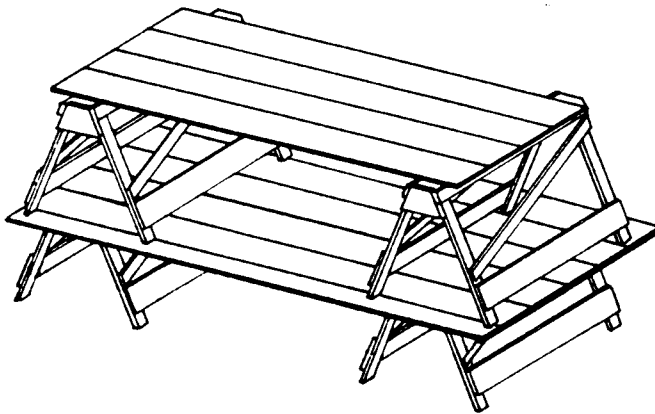
# FORM SCAFFOLD



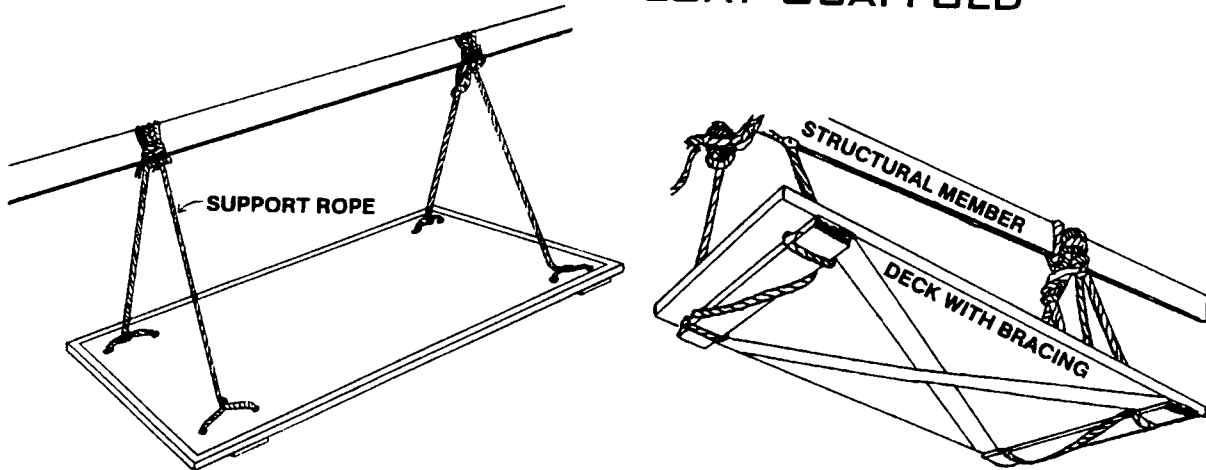
# CHICKEN SCAFFOLD



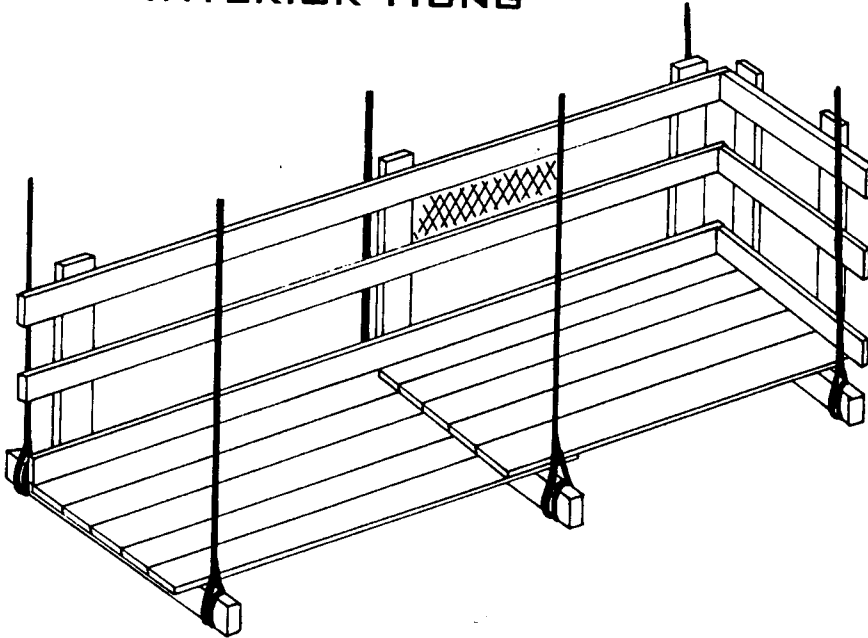
# HORSE SCAFFOLD



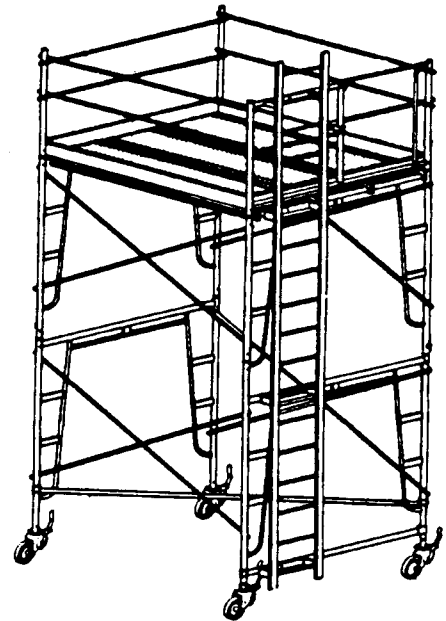
# FLOAT SCAFFOLD



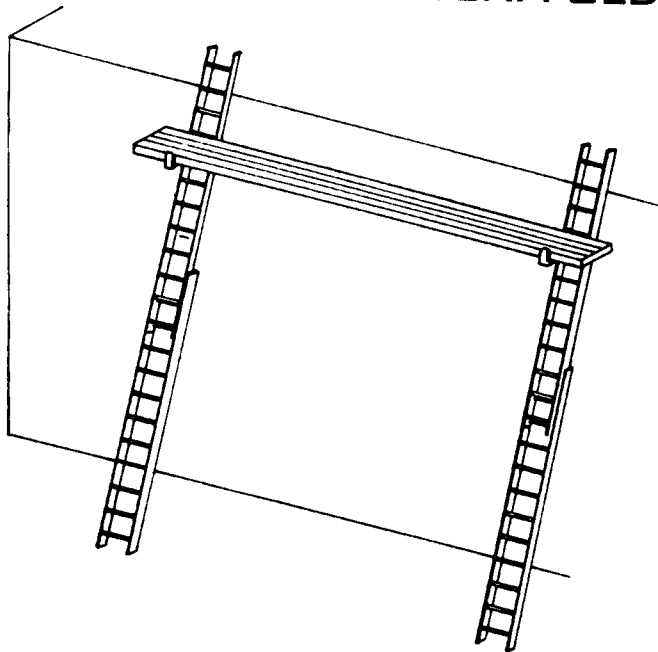
**INTERIOR HUNG**

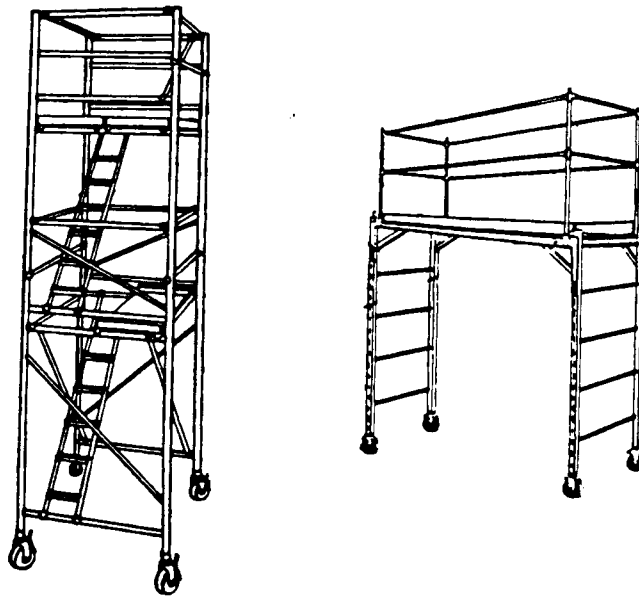


**MANUALLY PROPELLED  
MOBILE SCAFFOLD**



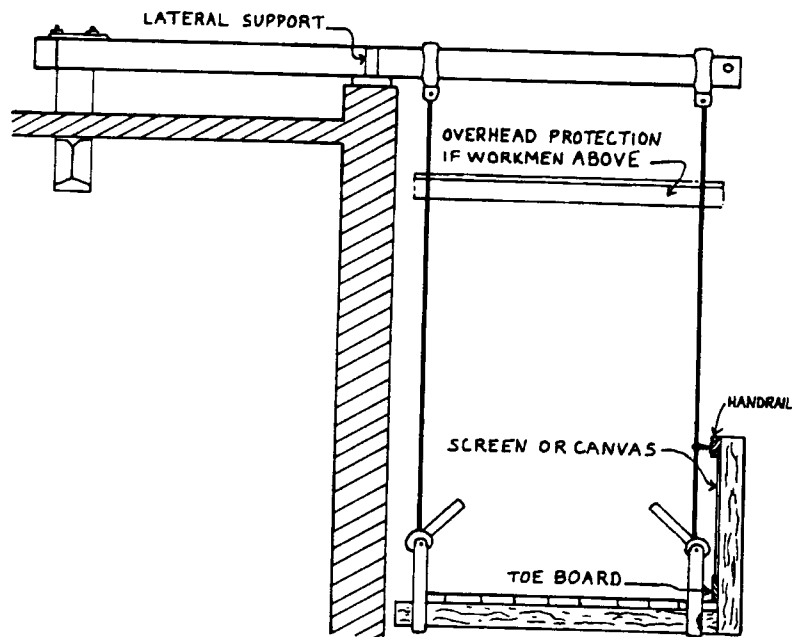
**LADDER JACK SCAFFOLD**



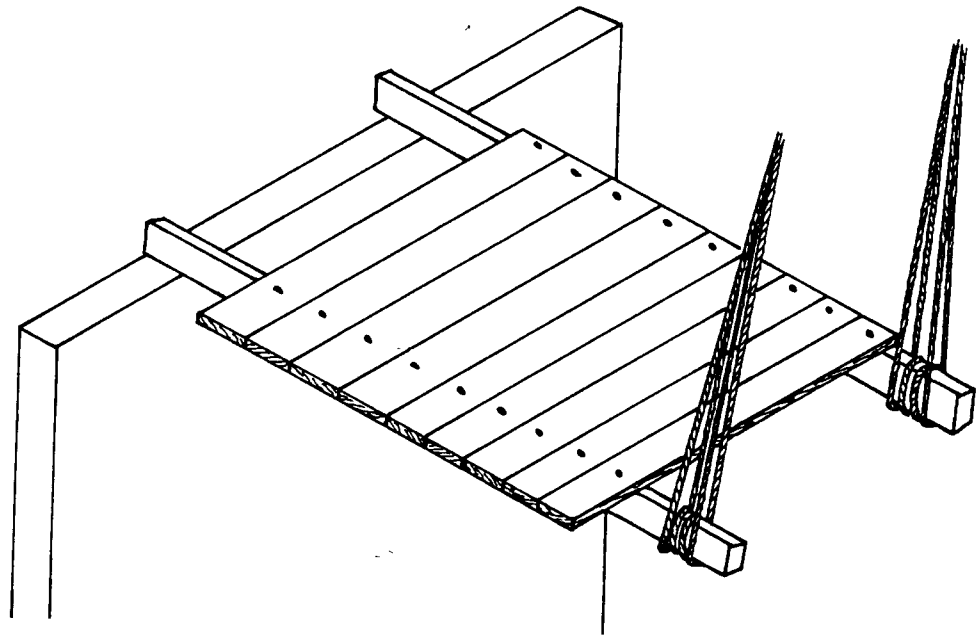


**PREFABRICATED MOBILE TOWER UNIT**

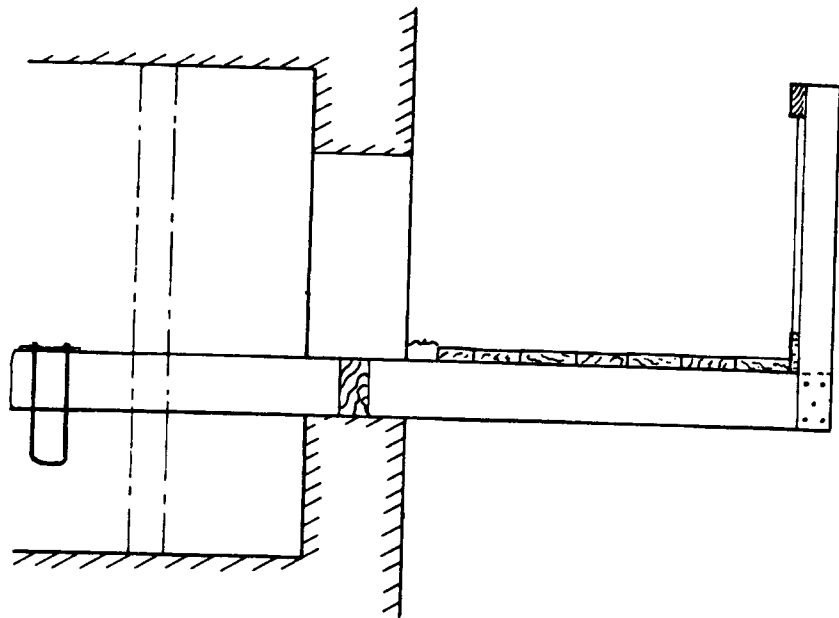
**MASON'S MULTI POINT SUSPENDED SCAFFOLD**



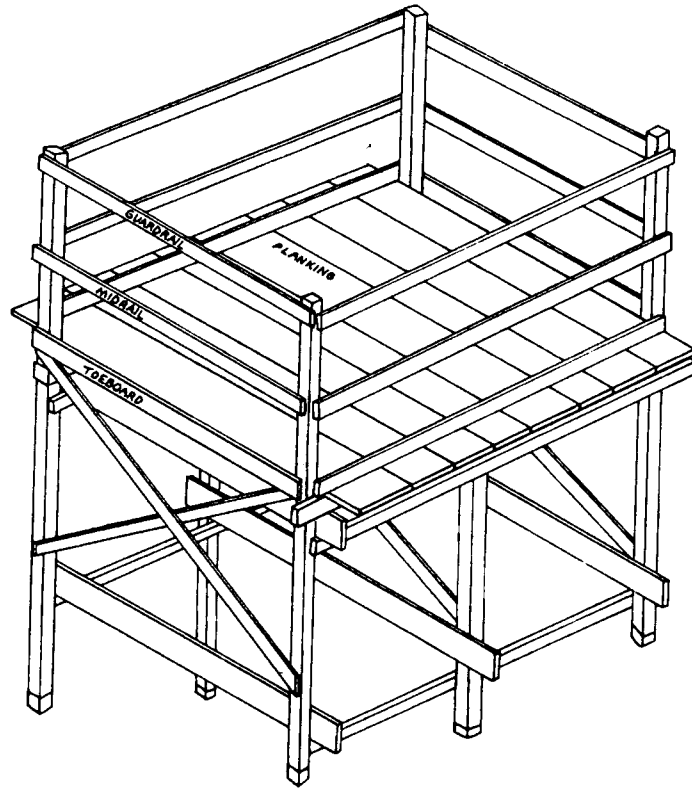
# NEEDLE BEAM SCAFFOLD



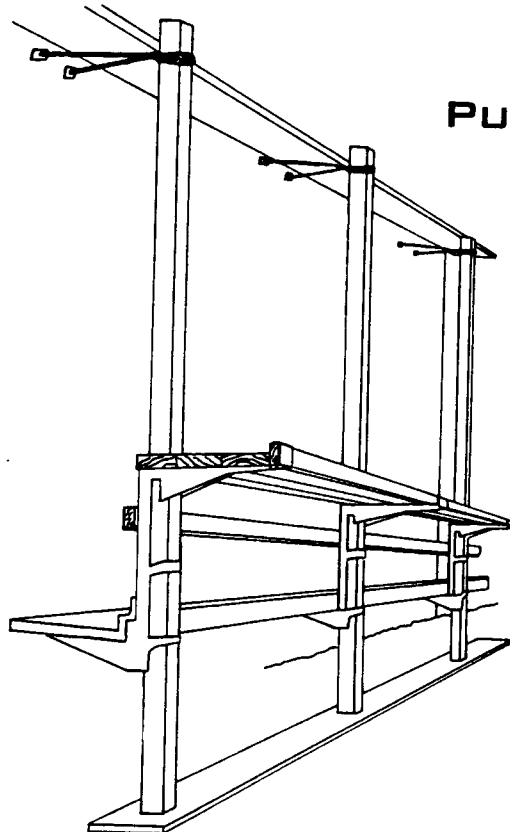
# OUTRIGGER SCAFFOLD



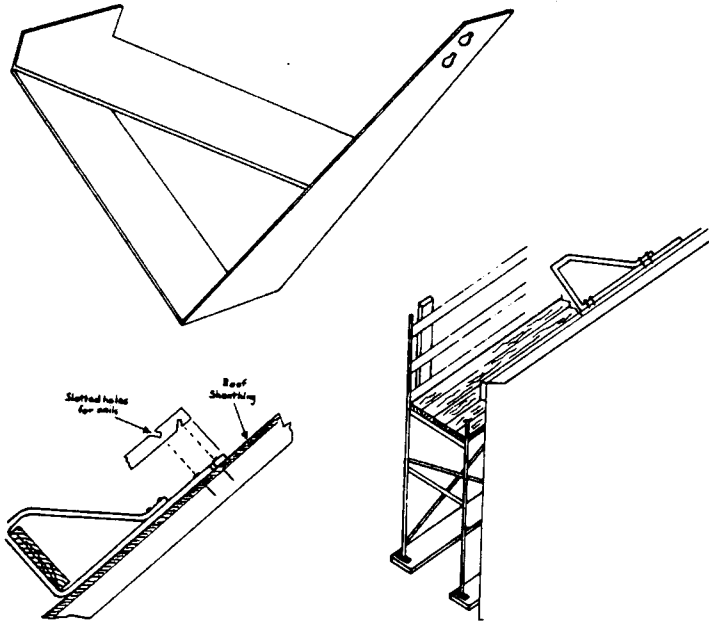
# PLASTERERS DECORATORS SCAFFOLD



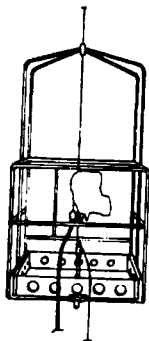
# PUMP JACK SCAFFOLD



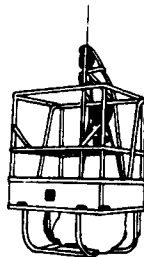
## ROOFING BRACKETS



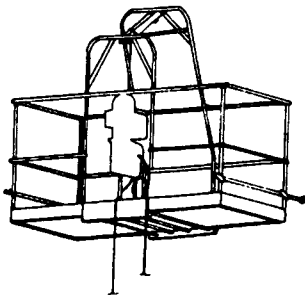
## SINGLE POINT SUSPENSION SCAFFOLD



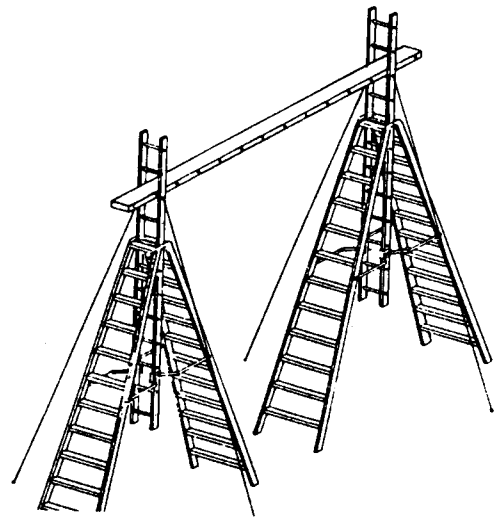
POWER  
TRACTION HOIST  
WORK CAGE



SINGLE POINT  
SUSPENSION SCAFFOLD  
WINDING DRUM HOIST



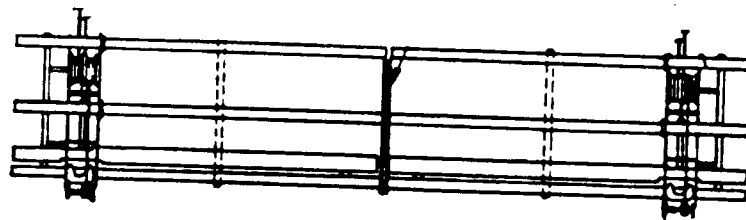
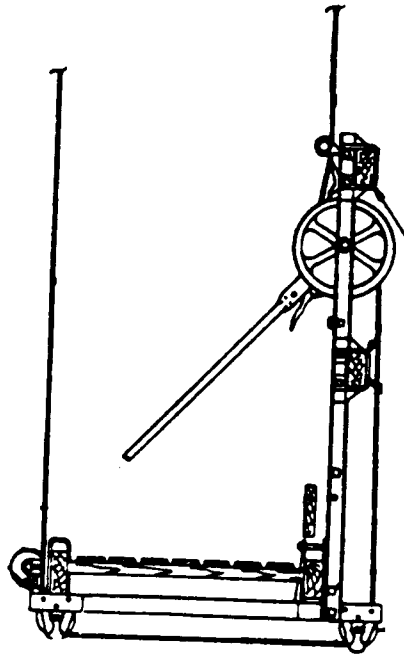
POWER TRACTION  
HOIST WORK CAGE  
WITH EXTENSIONS



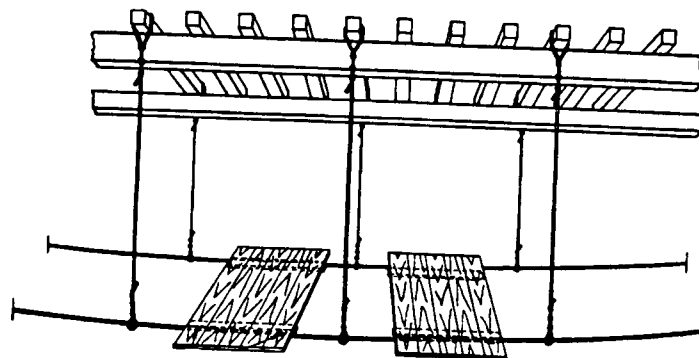
## EXTENSION TRESTLE LADDER SCAFFOLD



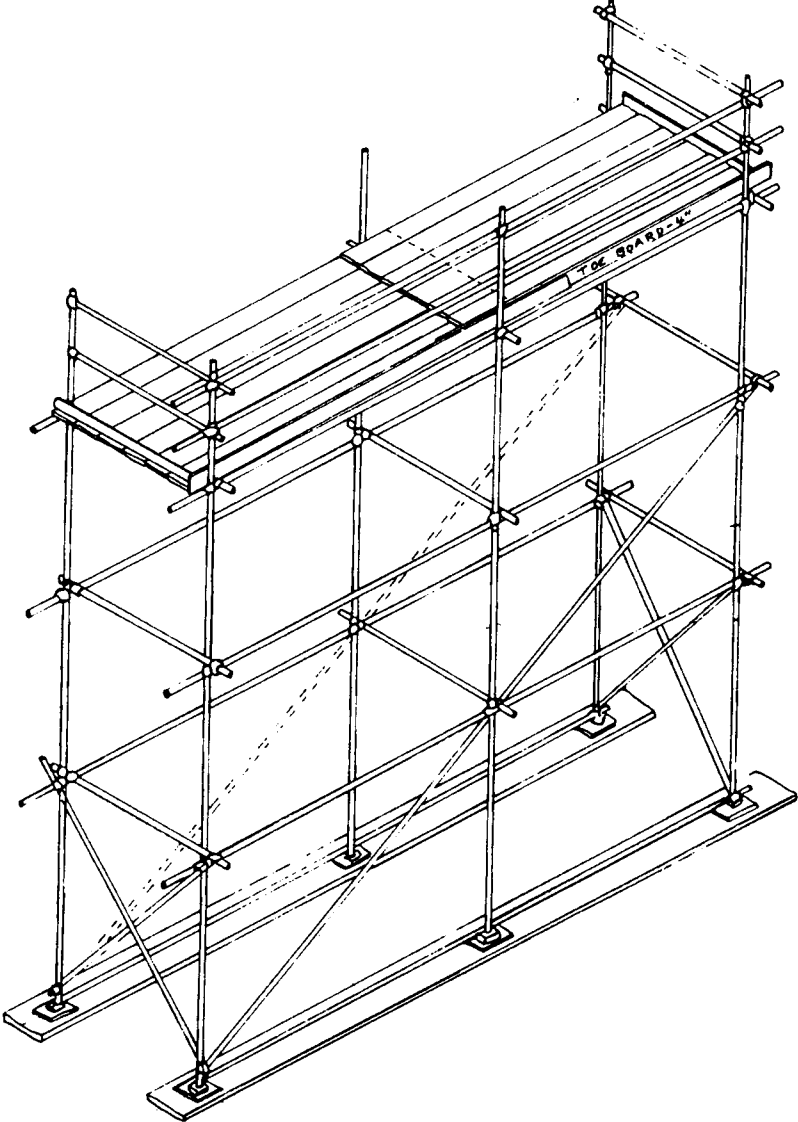
**STONE SETTERS ADJUSTABLE  
MULTI POINT SUSPENSION SCAFFOLD**



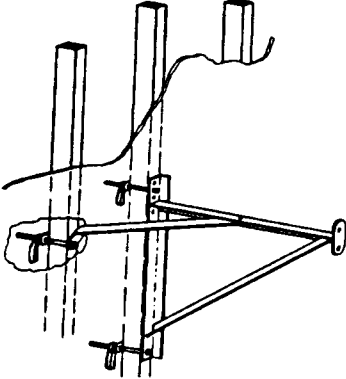
**CATENARY SCAFFOLD**



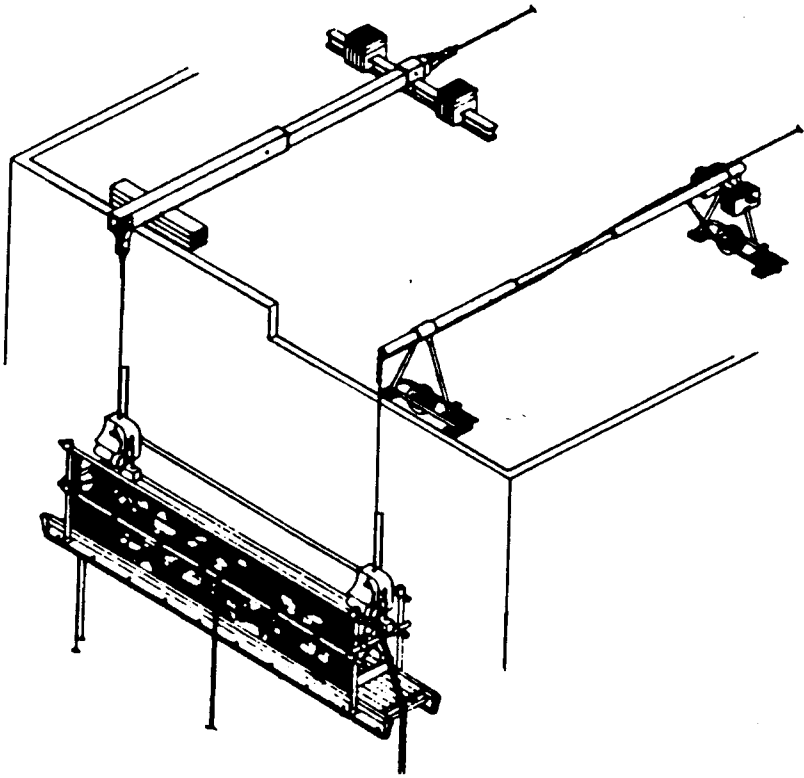
**TUBE AND COUPLER SCAFFOLD**



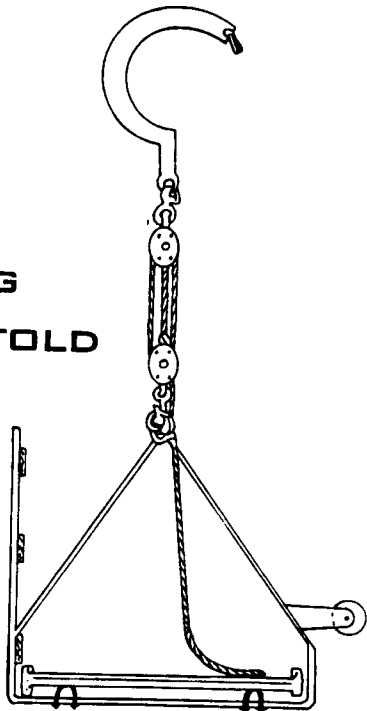
**CARPENTER BRACKET**

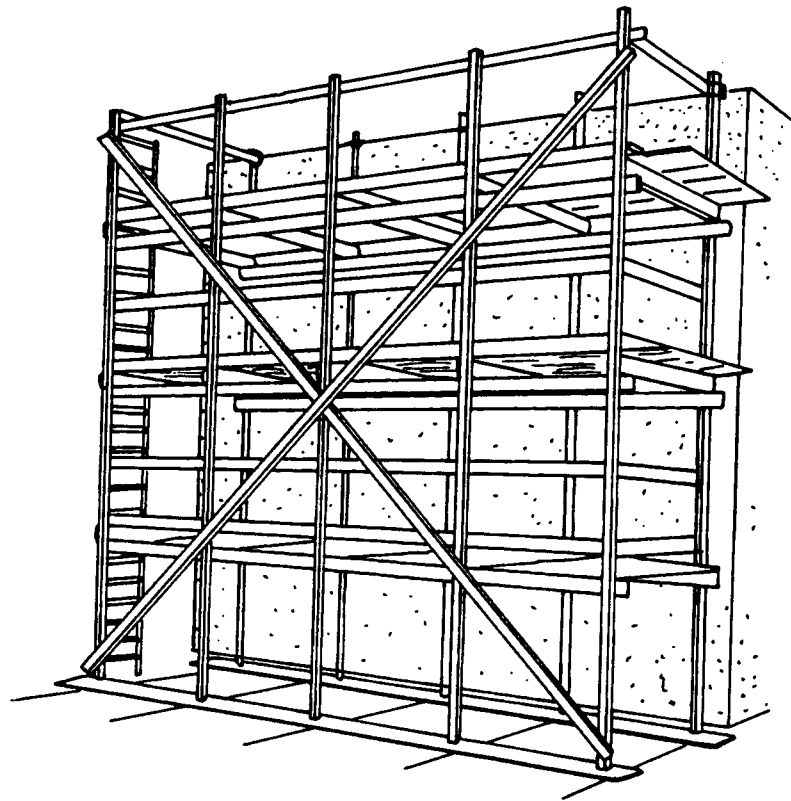
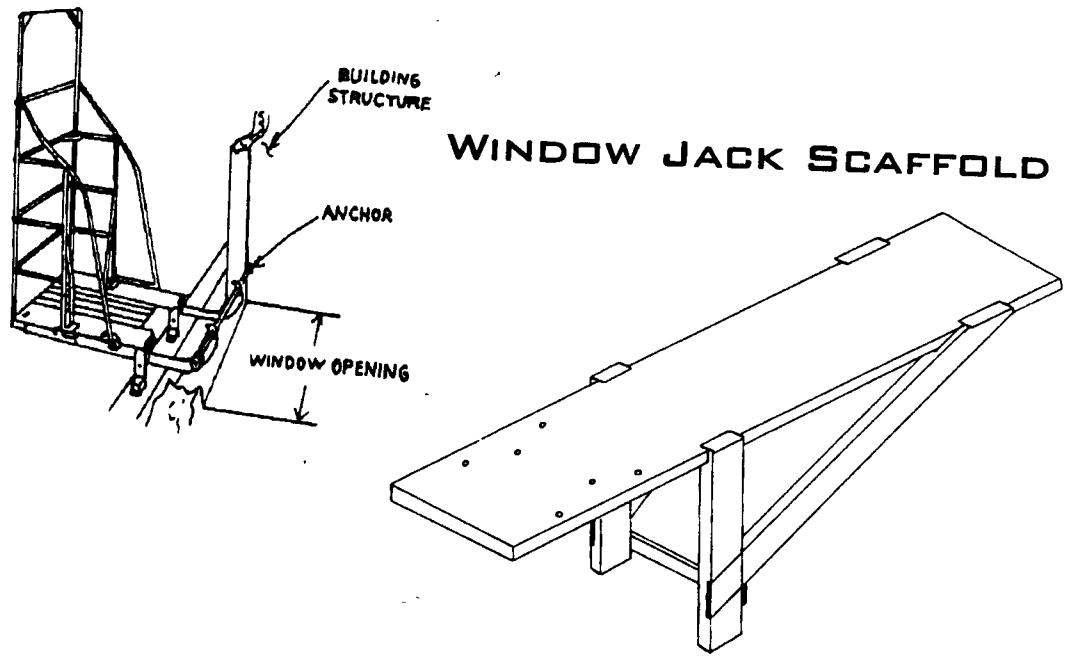


**TWO POINT SUSPENDED SCAFFOLD**



**SWINGING  
SCAFFOLD**





**WOOD POLE SCAFFOLD**

# FABRICATED FRAME SCAFFOLD

